

Stainless Steel Room Service Carts

SCE Model Series: 1 Tray Per Shelf

Aladdin's SC Series Carts are the smart choice for patient meal delivery and tray retrieval. Their bold, contemporary look is as stylish as it is functional.

Inside, welded stainless steel tube framing gives these carts an enhanced core strength that also dampens noise for a quiet-rolling cart.

Their lightweight and ergonomic design makes our SC Series Carts easy for employees to maneuver *quickly and quietly* through busy kitchens, tight elevators and crowded hallways. These small-capacity, space-saving carts are perfect for room service operations and late-tray deliveries.

Standard Configurations:

- 1-tray per shelf
- 8 or 10-tray capacity with 5.2" (13 cm) tray spacing
- 9-tray capacity with 4.5" (11 cm) tray spacing

SCE Series Carts accommodate these popular tray sizes:

- 15.0" x 20.0" (38 cm x 51 cm) standard cafeteria tray
- 15.0" x 20.0" (38 cm x 51 cm) Aladdin Room Service trays (RST1)
- Non-Aladdin Room Service tray sizes:¹
 - 15.0" x 20.0" (38 cm x 51 cm); 15.0" x 21.5" (38 cm x 55 cm);
 - 15.5" x 21.5" (39 cm x 55 cm)

SC carts: The smart choice - only from Aladdin!

¹To ensure non-Aladdin trays fit properly, we recommend that you provide a tray sample to your Territory Manager for testing prior to ordering carts.

PATENTED

NEW Accessory!
On-Board Beverage Caddy
Only from Aladdin!



NSF

Model SC8E-525 shown with our NEW Beverage and Condiment Caddy



Model SC10E-525 Shown

Available Options:

- Beverage and Condiment Caddy
- All swivel casters

Every Aladdin SC Stainless Steel Cart Has These Great Standard Features!

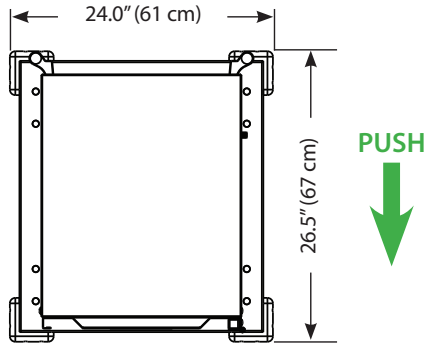
- | | |
|--|---|
| <ul style="list-style-type: none"> • Interior stainless steel welded tube framing increases core strength and reduces cart noise. • Polymer door bumpers and stainless steel tray ladders with plastic inserts add to the overall quiet transport of meals to patient floors. • Contemporary door design with full-length door handle is great for any height employee. • Long, ergonomic push handles work great for employees of every height. • Non-marking corner bumpers protect walls and surfaces. | <ul style="list-style-type: none"> • Easy-to-remove tray ladders make cleaning easy (no tools needed). • 2" wide stainless steel tray slides provide secure tray transport (ladder-style ledge panels). • Full 270° door swing gives unobstructed access during loading and unloading of trays. • Magnetic catches hold doors tightly against the cart tank to reduce vibration noise during transport. • Four 5" casters; two fixed and two swivel, with brakes. • Transport and vibration tested to IEC 60068-2-64. |
|--|---|

Stainless Steel Room Service Carts

SCE Model Series: 1 Tray Per Shelf



Space-Saving Models: SC8E, SC9E, SC10E Single Bay, 1 Tray Per Shelf



Space-Saving Models

- Long, ergonomic push handles are located on the back.
- Smaller footprint saves space and is easy to move quickly and quietly through tight areas.



Model SC8E-525

PATENTED

NEW Accessory!
On-Board Beverage Caddy
Only from Aladdin!



Beverage Caddy with condiment bins, dividers and clear lids shown with SC8E-525 Model cart.



Caddies include a built-in rail to attach up to three bins so you can carry condiments, lids and other supplies.

Base Model Number	Tray Capacity ¹	Tray Spacing	Length	Width	Height	All-Swivel Casters (-S)	Beverage Caddy Accessory ²	Net Weight
End-Loaded Tray Cart Models: Trays are placed (loaded) into cart SHORTEST-SIDE FIRST								
<input type="checkbox"/> SC8E-525	8	5.2" (13 cm)	26.5" (67 cm)	24.0" (61 cm)	52.3" (133 cm)	<input type="checkbox"/>	<input type="checkbox"/>	128 lbs. (58 kg)
<input type="checkbox"/> SC9E-450	9	4.5" (11 cm)			52.3" (133 cm)	<input type="checkbox"/>	<input type="checkbox"/>	128 lbs. (58 kg)
<input type="checkbox"/> SC10E-525	10	5.2" (13 cm)			61.7" (157 cm)	<input type="checkbox"/>	<input type="checkbox"/>	158 lbs. (72 kg)

¹Trays are placed (loaded) into cart with shortest tray side first, one tray per level.

²When mounted to cart, Caddy extends 6" (15 cm) past cart bumper system. Refer to Beverage & Condiment Caddy spec sheet for additional information.

